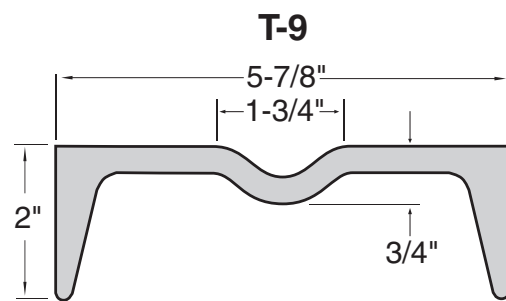
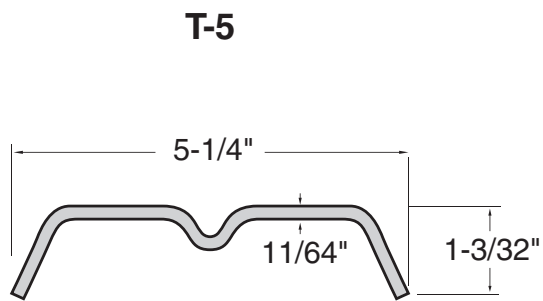
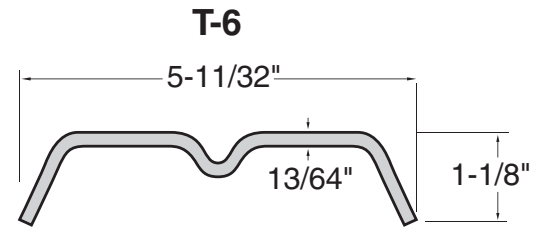
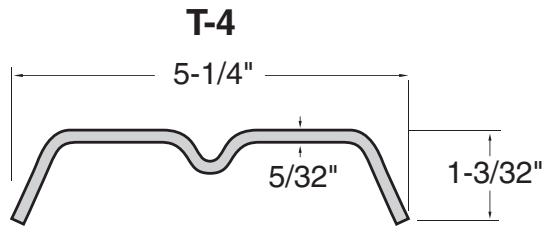


# STEEL MINE TIES



Drawings shown to scale  
Not actual size

Shown on this page are some of the most common steel tie sections available today. Although the table below gives some general recommendations, there are several factors to be considered in choosing a steel tie. These include condition of the bottom, weight of cars and equipment, amount and speed of traffic, permanency of trackage, and weight of rail.

Tie Section	Weight	Rail Section
T - 4	3.85 lbs/ft	30 - 60 lb
T - 5	5.0 lbs/ft	30 - 60 lb
T - 6	6.0 lbs/ft	40 - 85 lb
T - 9	10.5 lbs/ft	60 - 100 lb